

SEVENCRAANE

Henan Seven Industry Co.,Ltd

Address: Changyuan, Xinxiang City, Henan province, China.

Email: info@sevencrane.com

Tel: (00)86-371-55576206

Web: www.sevencrane.com

Henan Seven Industry Co.,Ltd

Metallurgy Double Girder Overhead Crane



SEVENCRAANE

Company profile

SEVENCRANE (Henan Seven Industry Co., Ltd) offers our customers with reliable, safe and high-performance solutions for industrial cranes, crane components and drives. SEVENCRANE serves a wide range of industries including machinery, metallurgy, power industry, railways, water conservancy, ports, mines, coal, petroleum, chemical industries, etc.

SEVENCRANE stands for first-rate service, cost-effective, high quality. Based on our brand commitment, we provide butler-style services to our customers at all stages, and fully consider the solutions for the purchase, production, transportation, installation and after-sale process of cranes.

Our customers appreciate our reliability and professionalism. Our sales staffs are trained in professional crane knowledge and customers can communicate with them on technical issues directly.

Values and vision

SEVENCRANE is committed to the highest efficiency, best results and best service. Choose SEVENCRANE to give you peace of mind and focus on your business.

Our core values: First class service—Safety—Efficient—Reliable

" Tell sevenscrane your needs and leave the rest to us. "

Business area

Spare parts and service	Industrial cranes
SEVENCRANE provides components and maintenance services for all types of cranes to help customers increase productivity and perform crane maintenance or assembly.	SEVENCRANE serves a wide range of industries including machinery, metallurgy, power industry, railways, water conservancy, ports, mines, coal, petroleum, chemical industries, etc. We offer cranes, solutions of crane and material handling solutions to a wide range of customers.
Product: SEVENCRANE can provide: Rail system, Bus bar, Remote control, Wire rope, All kinds of hook block, Wheels, Couplings, Drums, Buffers, End carriage, Pulley, Grab buckets, Crane magnet. We also provide crane system design, crane installation and training for our customers, and have perfect after-sales service.	Product: SEVENCRANE provide customers in various industries: Gantry crane, Bridge crane, Jib crane, Electric hoist, Winch, European type crane.

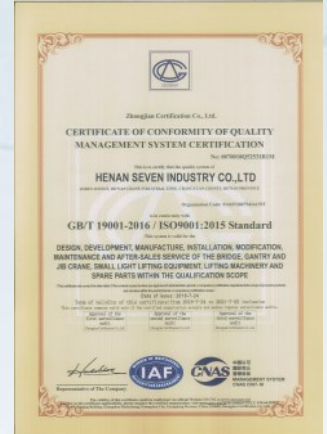
Qualification Certificate



IOS certificate occupational and health



ISO certificate environment



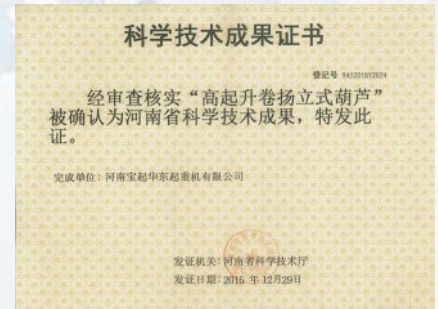
ISO certificate quality



Special equipment manufacturing certificate



China heavy machinery industry association-Membership certificate



Certificate of scientific and technological achievements



Safety mark certificate for mineral products



Abide by the contract honor enterprise



Safety production license

Metallurgy Double girder overhead crane



Overview

Metallurgy cranes are mainly suitable for operation during metal smelting, binding and hot working. It mainly contains foundry crane, feeding crane, slab handling crane, steel coil clamp crane, disk crane and other overhead/bridge cranes with high working duty in metallurgical enterprises. Casting bridge crane is a main production auxiliary equipment in smelting workshop of iron and steel enterprises. Main purpose of casting bridge crane is to pour molten iron from blast furnace workshop into mixing furnace and then directly pour molten iron from mixing furnace or blast furnace into converter.

Specification

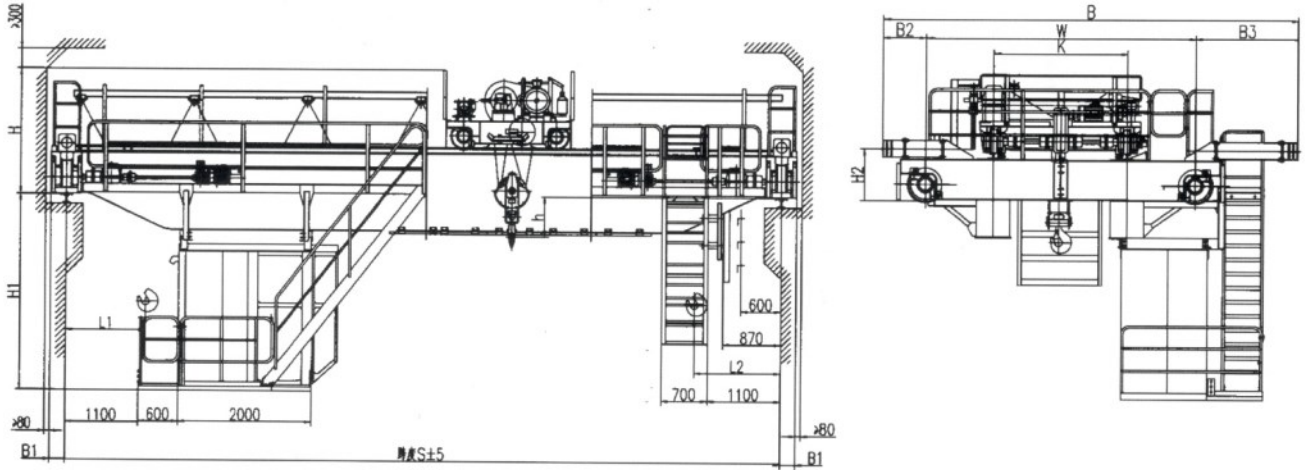
1. Load capacity: 5 tons~500 tons
2. Crane span: 4.5m~31.5m
3. Lifting height: 3m~30m or according to customer request
4. Working duty: A4~A7
5. Power source: 380v/400v/415v/440v/460v, 50hz/60hz, 3 phase

Our security measures

1. Thermal insulation layer at bottom of main girder
2. For safety of personnel and equipment, double brake applied on main lifting mechanism of metallurgy crane.
3. Our metallurgy crane are equipped with special motors, which have enough capacity to withstand influence of high temperature in metallurgical environment.
4. Electrical equipment is placed in main girder chamber, with heat insulation device and cooling fan system, which can ensure normal operation under harsh conditions such as high load rate, high temperature and dusty smoke.
5. Driver's cab is fully enclosed, insulated and equipped with refrigeration equipment, which creates a good working environment for operators.
6. Electric control adopts PLC + frequency converter control, intelligent positioning accuracy, safety and reliability are greatly improved.
7. Our metallurgy crane can also realize remote control through remote measurement and remote control technology, which ensures that equipment can be used normally in harsh environments such as high dust, high pollution and high temperature, and enhances its adaptability.
- 8 Outdoor crane hoisting mechanism, electronic control box and driving mechanism are equipped with rain-proof cover, moisture-proof and prolong service life.

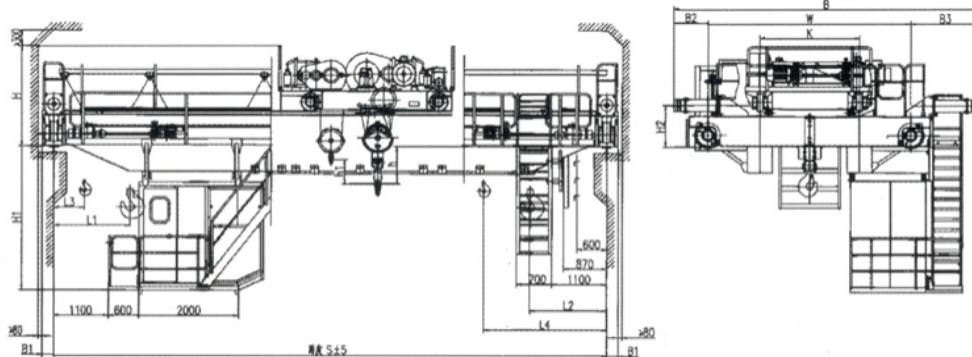


Metallurgy crane with hook foundry cap.5/10T



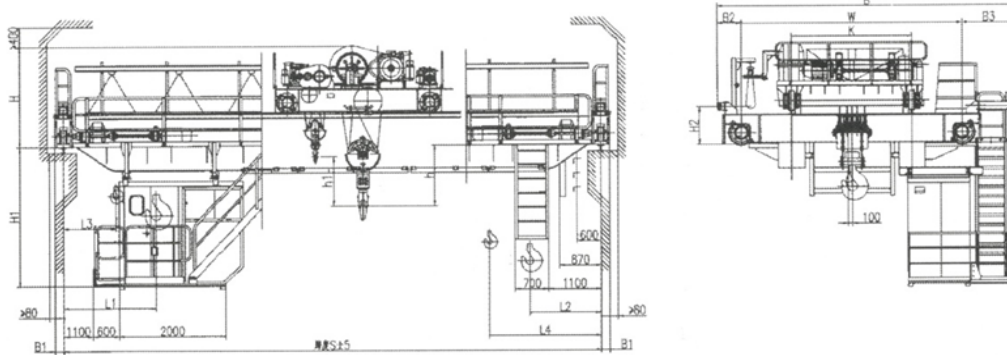
起重量 Lifting capacity		t	5							10								
跨度 Span			10.5	13.5	16.5	19.5	22.5	25.5	28.5	31.5	10.5	13.5	16.5	19.5	22.5	25.5	28.5	31.5
起升高度 Lifting Height		m	16							20								
工作制度 Duty			A7							A7								
速度 Speed	起升 Hositing		12.9							13								
	小车运行 Crab travelling	m/min	39.5							35.2								
	大车运行 trolley travelling		93.7			95.2				95.2				88.3				
极限尺寸 limit dimension	L1	mm	1600							1600								
	L2		1250							1300								
	h		71							602			552					
主要尺寸 Main dimension	H		1763							1876			1926					
	H1		2598	2648	2748	2898	2948	3098	3248	3398	2598	2648	2748	2898	2948	3048	3198	3348
	H2		800+H0				800+H0			800+H0				800+H0				
	B		5158		5308			6268		5808			5308		6628			
	K		1400							2000								
	W		3400		3550			5000		4050				5000				
	B1		230							230								
	B2		514			634				514			634					
	B3		1244			634				1244			1364		994			
最大轮压 Max.Wheel Loading		kN	80	87	92	101	107	123	134	143	112	120	129	138	145	160	171	181
电动机功率 Span		kW	24.5			27.1				40.1				45.5				
荐用钢轨 Crane Rail Recommended			43kg/m															
电源 Power Supply			三相交流 3-Phase A.C.50Hz 380V															

Metallurgy crane with hook foundry cap.16/3.2~20/5T



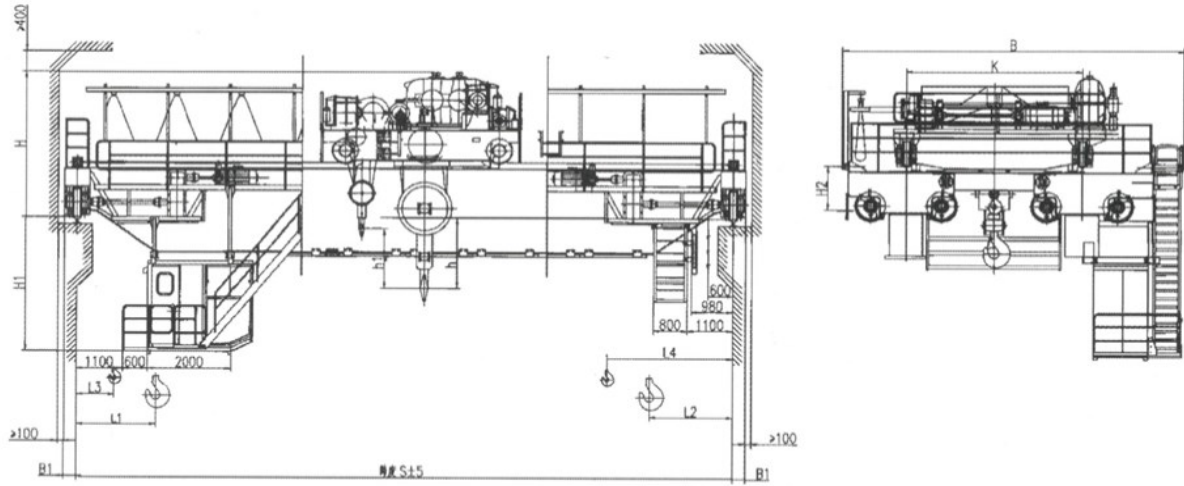
起重量 Lifting capacity		t	16/3.2							20/5								
跨度 Span			10.5	13.5	16.5	19.5	22.5	25.5	28.5	31.5	10.5	13.5	16.5	19.5	22.5	25.5	28.5	31.5
起升高度 Lifting Height		m	16							12								
			18							14								
工作制度 Duty			A7							A7								
速度 Speed	主钩 Main	m/min	10.9							9.8								
	副钩 Aux.		11.5							12.75								
	小车运行 Crab travelling		31							37								
	大车运行 trolley travelling		87.8			90.4				88.3			90.9					
极限尺寸 limit dimension	L1	mm	1930							1980								
	L2		1530							1530								
	L3		1070							1050								
	L4		2390							2460								
	h		729	727	637	639				701	699	609						
	h1		770							496								
主要尺寸 Main dimension	H	mm	2095	2097	2187	2185			2097	2099	2189							
	H1		2600	2600	2700	2760	2910	3060	3210	3360	2600	2602	2702	2764	2912	3062	3212	3362
	H2		850+H0			940+H0				850+H0			940+H0					
	B		6278			6428		7038		6278			6428		7038			
	K		2000							2000								
	W		4400				5000			4400				5000				
	B1		230			260				230			260					
	B2		614			684		689		614			684		689			
	B3		1264			1344		1349			1264			1344		1349		
最大轮压 Max.Wheel Loading	kN	152	159	168	182	190	204	216	229	176	183	193	207	216	231	242	253	
电动机功率 Span	kW	54.3			59.7				71.7			79.7						
荐用钢轨 Crane Rail Recommended	43kg/m or QU70																	
电源 Power Supply	三相交流 3-Phase A.C.50Hz 380V																	

Metallurgy crane with hook foundry cap.32/5~50/10T



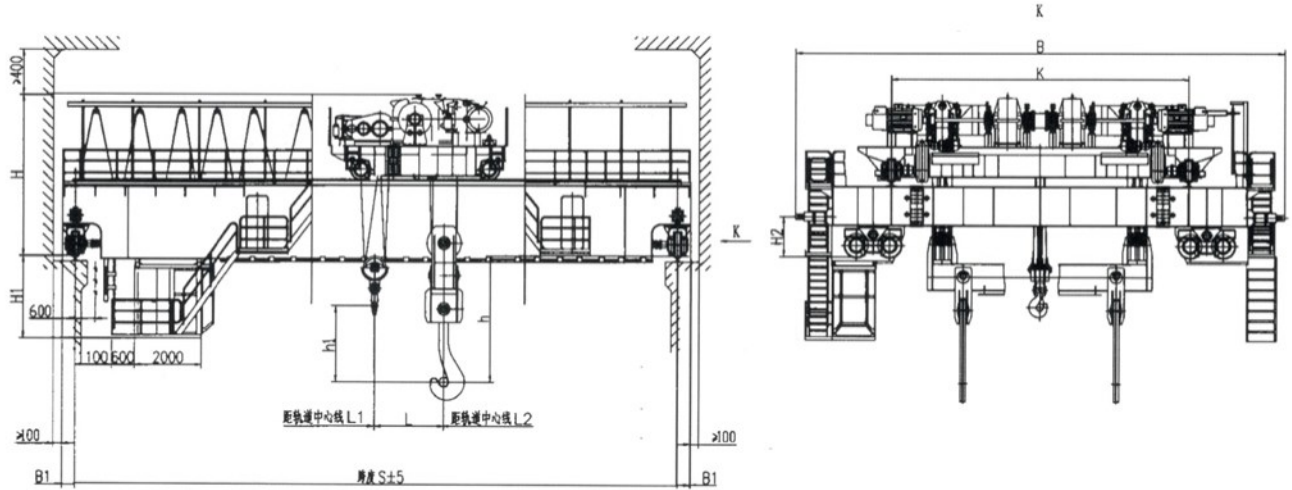
起重量 Lifting capacity		t	32/5						50/10							
跨度 Span			13.5	16.5	19.5	22.5	25.5	28.5	31.5	13.5	16.5	19.5	22.5	25.5	28.5	31.5
起升高度 Lifting Height		m	16						12							
工作制度 Duty			A7						A7							
速度 Speed	主钩 Main	m/min	7.7						6.3							
	副钩 Aux.		12.75						10.5							
	小车运行 Crab travelling		37.6						31.8							
	大车运行 trolley travelling		90.9	77			77			77.8						
极限尺寸 limit dimension	L1	mm	2050						2200							
	L2		1700						2000							
	L3		1070						1005							
	L4		2680						3195							
	h		701	571			1018			1012						
	h1		790						948							
主要尺寸 Main dimension	H	mm	2351	2451	2481				2750	2754						
	H1		2666	2816	2834	3034	3184	3334	3434	2616	2672	2822	3022	3172	3322	3422
	H2		940+H0			1070+H0				1090+H0						
	B		6588		6848		7068		6828		6998		7198			
	K		2500						2500							
	W		4650		4700		5000		4800			5000				
	B1		260		300				300							
	B2		664		734				714		784					
	B3		1274		1414		1334		1314		1414					
最大轮压 Max.Wheel Loading		kN	262	277	296	310	327	339	354	365	388	409	426	445	460	481
电动机功率 Span		kW	90.5						118.5		130.5					
荐用钢轨 Crane Rail Recommended			QU70 or 方钢90						QU80 or 方钢100							
电源 Power Supply			三相交流 3-Phase A.C.50Hz 380V													

Metallurgy crane with hook foundry cap.74/20T



起重量 Lifting capacity		t	74/20						
跨度 Span			13.5	16.5	19.5	22.5	25.5	28.5	31.5
起升高度 Lifting Height		m	20						
			22						
工作制度 Duty			A7						
速度 Speed	主钩 Main	m/min	6.4						
	副钩 Aux.		9.7						
	小车运行 Crab travelling		37.2						
	大车运行 trolley travelling		67.4			77			
极限尺寸 limit dimension	L1	mm	2400						
	L2		2750						
	L3		1050						
	L4		4100						
	h		1330	1328	1324	1320	1318	1318	1316
	h1		1240						
主要尺寸 Main dimension	H	mm	3521	3523	3525	3531	3531	3531	3533
	H1		2910	3062	3064	3070	3370	3372	3472
	H2		950+H0			1380+H0			
	B		8828						
	K		4400						
	B1		310						
最大轮压 Max.Wheel Loading		kN	278	292	304	318	330	340	351
电机总功率 Span		kW	200			214			
荐用钢轨 Crane Rail Recommended			QU100						
电源 Power Supply			三相交流 3-Phase A.C.50Hz 380V						

Metallurgy crane with hook foundry cap.100/32~125/32T



起重量 Cap	主钩 Main	t	100				125		
	副钩 Aux.		32				32		
跨度 Span		m	19.5	22.5	25.5	28.5	19.5	22.5	25.5
起升高度 Lifting Height			20					20	
			22				22		
工作制度 Duty			A7				A7		
速度 Speed	主钩 Main	m/ min	7.5				7.5		
	副钩 Aux		10.5				10.5		
	小车运行 Crab travelling		38				38		
	大车运行 trolley travelling		68				79.7		
极限尺寸 limit dimension	L1	mm	1600				1600		
	L2		2200				2200		
	L		2500				2450		
	h		3997				4097		
	h1		2300				2300		
主要尺寸 Main dimension	H	mm	4900				5150		
	H1		2687				2687		
	B		14500				14900		
	K		9200				9600		
	B1		410				410		
最大轮压 Max.Wheel Loading		kN	486	516	540	560	605	618	632
电机总功率 Span		kW	393				479		
荐用钢轨 Crane Rail Recommended			QU120				QU120		
电源 Power Supply			三相交流 3-Phase A.C.50Hz 380V				三相交流 3-Phase A.C.50Hz 380V		

